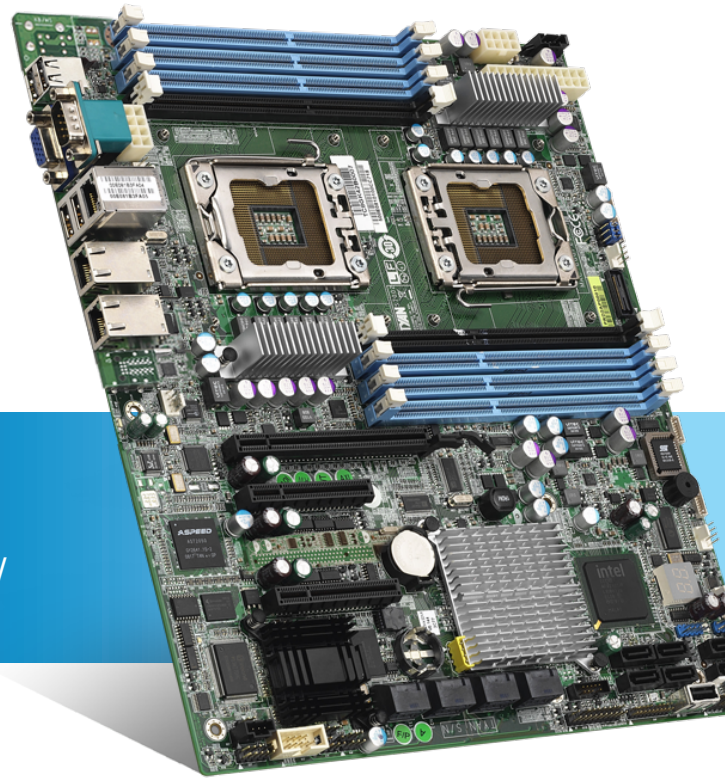
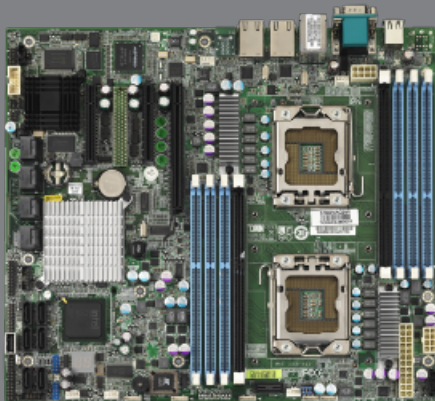


DUAL-SOCKET SERVER PLATFORM



S7002-LE

S7002WGM2NR-LE / S7002GM2NR-LE /
S7002G2NR-LE



■ Intel® 5520 Chipset

Entry dual-socket server platform for most of enterprise and HPC applications

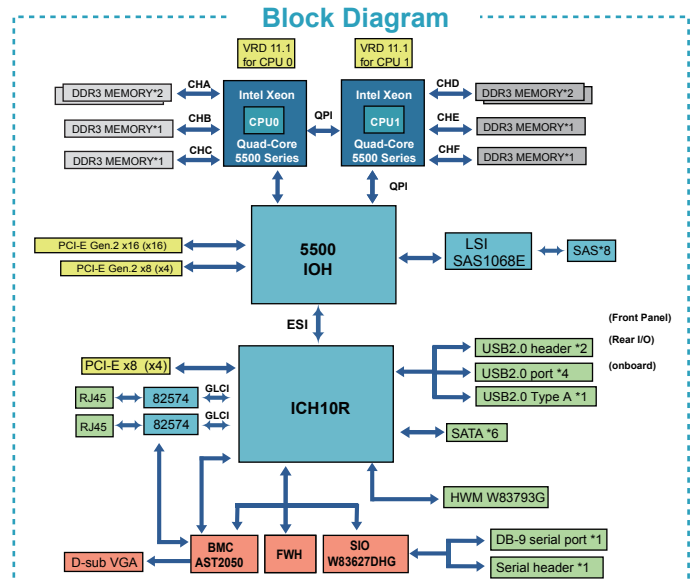
- Dual LGA1366 sockets support up to (2) Intel® Xeon® Processor 5500/ 5600 Series
- Support QPI 6.4/ 5.86/ 4.8 GT/s
- Intel® 5500 IOH
- Intel® ICH10R South Bridge
- (8) 240-pin DDR3 DIMM slots support up to 64GB R-DDR3 1333/1066/800MHz w/ ECC memory
- (1) PCI-E Gen.2 x16 slot
- (1) PCI-E Gen.2 x8 slot (w/ x4 link)
- (1) PCI-E x8 slot (w/ x4 link)
- (6) SATA-II connectors w/ RAID 0, 1, 10, 5 support
- (4) stacked 2-port SAS connectors w/ RAID 0, 1, 1E support (S7002WGM2NR-LE)
- (2) GbE LAN
- Onboard BMC w/ iKVM support (S7002WGM2NR-LE/S7002GM2NR-LE)
- SSI CEB (12" x 10.5") form factor



S7002-LE

S7002WGM2NR-LE / S7002GM2NR-LE / S7002G2NR-LE

Processor	Supported CPU Series	Intel® Xeon® Processor 5500/ 5600 Series	
	Socket Type / Q'ty	LGA1366 / (2)	
	Thermal Design Power (TDP) wattage	130W	
Chipset	IOH / ICH	Intel® 5500 / ICH10R	
	Super I/O	Winbond W83627	
Memory	Supported DIMM Qty	(8) DIMM sockets	
	DIMM Type / Speed	DDR3 800/1066/1333 RDIMM/UDIMM	
	Capacity	Up to 64GB RDIMM/ 32GB UDIMM	
	Memory channel	6 Channels (3 Channels per CPU)	
Expansion Slots	Memory voltage	1.5V	
	PCI-E	(1) PCI-E Gen.2 x16 slot (1) PCI-E Gen.2 x8 slot (w/ x4 link) (1) PCI-E x8 slot (w/ x4 link)	
Recommended Barebone / Chassis	Recommended TYAN® Riser Card	M2083-RS, PCI-E x16 1U riser card (left)	
LAN	1U Barebone	GT20-B7002	
Storage	Port Q'ty	(2)	
	Controller	Intel® 82574L	
	SAS (opt.)	Connector	(8)
		Controller	LSI SAS1068E (S7002WGM2NR-LE only)
Speed		3.0 Gb/s	
SATA	RAID	RAID 0/1/1E (LSI Integrated RAID)	
	Connector	(6)	
	Controller	ICH10R	
Graphic	Speed	3.0 Gb/s	
	RAID	RAID 0/1/10/5 (Intel® Matrix RAID)	
	Connector type	D-Sub 15-pin	
Input /Output	Resolution	1600x1200@60Hz	
	Chipset	Aspeed AST2050	
	USB	(9) USB2.0 ports (4 at rear, 4 via cable, 1 type A onboard)	
	COM	(2) ports (1 at rear, 1 via cable)	
	SAS (opt.)	(8) SAS connectors (S7002WGM2NR-LE only)	
	VGA	(1) D-Sub 15-pin VGA port	
	RJ-45	(2) GbE ports	
	Power	SSI 24-pin + 8-pin + 8-pin power connectors / EPS12V	
	Front Panel	(1) 2x12 pin SSI front panel header	
	SATA	(6) SATA-II connectors	
System Monitoring	Chipset	Winbond W83793G	
	Voltage	Monitors voltage for CPU, memory, chipset & power supply	
	Fan	Total (5) 4-pin headers Total (5) 8-pin headers	
	Temperature	Monitors temperature for CPU & system environment	
	LED	Fan fail LED indicator Over temperature warning indicator	
	Others	Chassis intrusion detection Watchdog timer support	



Server Management	Onboard Chipset	Onboard Aspeed AST2050
	AST2050 IPMI Feature (opt.)	IPMI 2.0 compliant baseboard management controller (BMC) Supports storage over IP and remote platform-flash BIOS update USB 2.0 virtual hub (S7002WGM2NR-LE/ S7002GM2NR-LE only)
	AST2050 iKVM Feature (opt.)	24-bit high quality video compression Dual 10/100 Mb/s MAC interfaces (S7002WGM2NR-LE/ S7002GM2NR-LE only)
BIOS	Brand / ROM size	AMI / 4MB
Form Factor	Form Factor	SSI CEB
	Board Dimension	12"x10.5" (305x267mm)
Operation System	OS supported list	Please refer to our OS supported list.
Regulation	FCC (DoC)	Class B
	CE (DoC)	Yes
Operating Environment	Operating Temp.	10° C ~ 35° C (50° F ~ 95° F)
	Non-operating Temp.	- 40° C ~ 70° C (-40° F ~ 158° F)
	In/Non-operating Humidity	90%, non-condensing at 35° C
RoHS	RoHS 6/6 Compliant	Yes

(Specifications are subject to change without notice. Items pictured may only be representative.)

MITAC INTERNATIONAL CORP.
TYAN Business Unit

USA
Tel: +1-510-651-8868
Fax: +1-510-651-7688

Taiwan
Tel: +886-2-2652-5888
Fax: +886-2-2652-5805

Japan
Tel: +81-3-3769-8311
Fax: +81-3-3769-8328

Europe
Sales: +32 2456 1721
Technical Support: +32 2456 1722

China
Shanghai Tel: +86-21-61431188 Ext 1366
China Tel: +86-010-62555015 Ext 8302