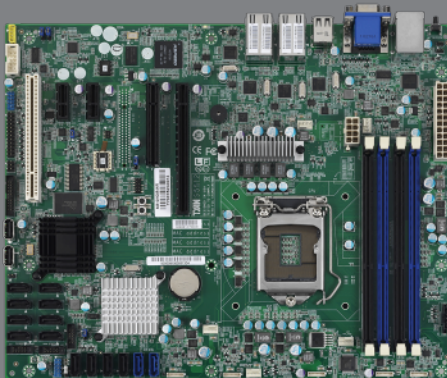
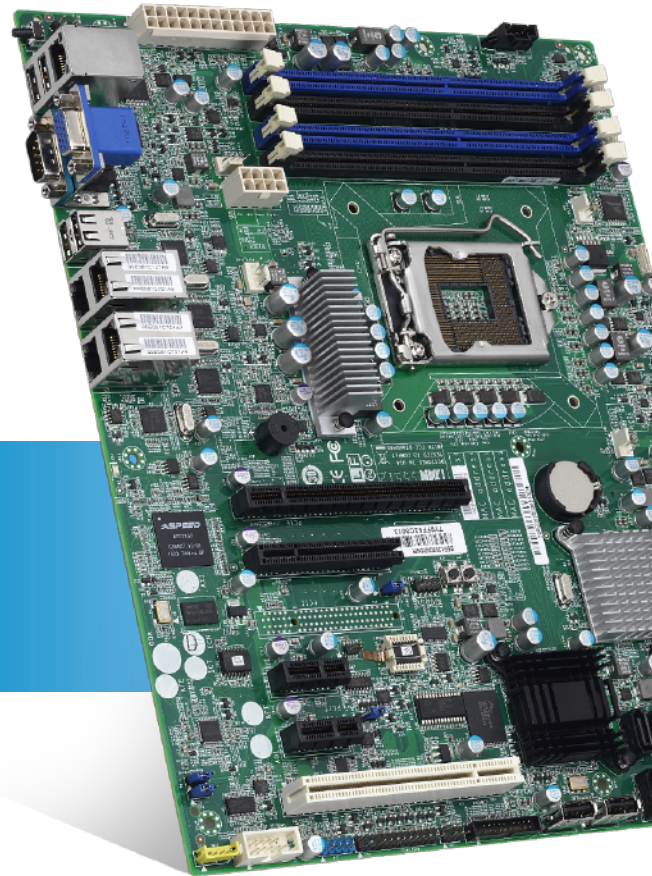
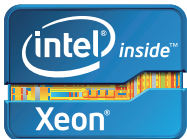


## SINGLE-SOCKET ATX SERVER / WORKSTATION PLATFORM

### S5512

S5512G2NR-LE / S5512GM2NR  
S5512WGM2NR / S5512GM4NR



■ Intel® C204 Chipset

### High-end single server / workstation storage and virtualization

- Single LGA1155 socket supports (1) Intel® Xeon® processor E3-1200 series and Intel® Core™ i3 processors
- Intel® C204 PCH / C202 PCH
- (4) 240-pin DDR3 DIMM slots support up to 32GB U-DDR3 1333/1066 MHz w/ ECC memory
- (1) PCI-E Gen.2 x16 slot (default w/ x8 link)
- (1) PCI-E Gen.2 x8 slot (w/ x8 link)
- (1) PCI-E Gen.2 x8 slot (w/ x4 link)
- (2) PCI-E Gen.2 x1 slots
- (1) PCI slot
- (4) SATA-II connectors w/ RAID 0, 1, 10, 5 support
- (2) SATA-III connectors
- (4) GbE LAN + (1) 10/100 MB IPMI port
- AST2150 BMC w/ IPMI and iKVM support
- ATX (12" x 9.6") form factor

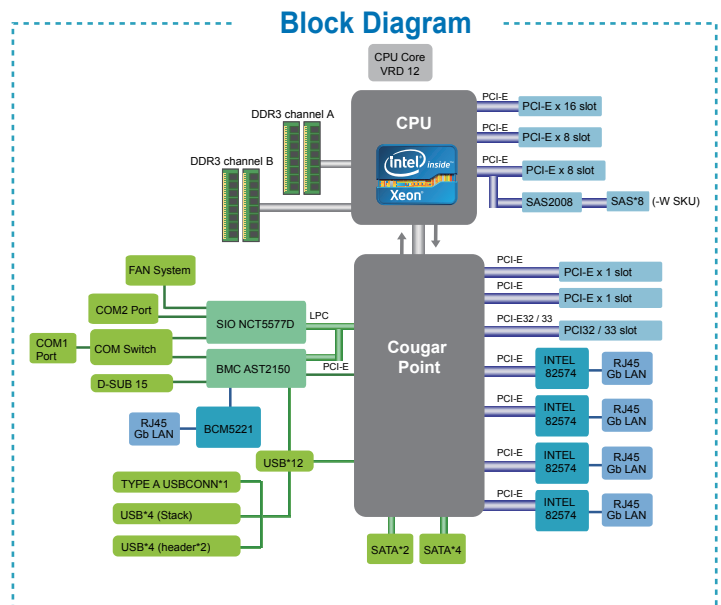


# S5512

S5512G2NR-LE / S5512GM2NR / S5512WGM2NR / S5512GM4NR

# TYAN Specifications

Processor	Supported CPU Series	Intel® Sandy bridge CPU, Intel® Xeon® processors E3-1200 series and I3-2100 series	
	Socket Type / Q'ty	LGA1155 / (1)	
	Thermal Design Power (TDP) wattage	95W/ 80W/ 65W/ 45W/ 20W	
Chipset	PCH / PCI-E Switch	Intel® C204 / C202(-LE SKU)	
	Super I/O	NCT 5577D	
Memory	Supported DIMM Qty	(4) DIMM sockets	
	DIMM Type / Speed	DDR3 1066/1333 UDIMM	
	Capacity	Up to 32GB ECC UDIMM	
	Memory channel	2 Channels	
Expansion Slots	PCI-E	(1) PCI-E Gen.2 x16 slot (w/ x8 link) (1) PCI-E Gen.2 x8 slot (w/ x8 link) (1) PCI-E Gen.2 x8 slot (x4 link , but SAS SKU W/O ) (2) PCI-E Gen.2 x1 slot2	
	Recommended TYAN® Riser Card		
	PCI	(1) PCI slot	
LAN	Port Q'ty	Max (5)	
	Controller	Intel® 82574L + BCM5221	
Storage	SAS (opt.)	Connector	(8) Single port
		Controller	LSI SAS2008 (-W SKUs only)
		Speed	6.0 Gb/s
	SATA	RAID	RAID 0/1/1E/10 (LSI Integrated RAID)
		Connector	(6) Single-port
		Controller	Intel® Cougar point C204
Graphic	Resolution	1600x1200@60Hz	
	Chipset	Aspeed AST2150	
	Connector type	D-Sub 15-pin	
Input /Output	USB	(10) USB2.0 ports (4 at rear, 4 via cable, 2 type A onboard)	
	COM	(2) ports (1 at rear, 1 via cable)	
	SAS	(8) single SAS port	
	VGA	(1) D-Sub 15-pin VGA port	
	RJ-45	Max (5) GbE ports	
	Power	SSI 24-pin + 8-pin power connectors	
	Front Panel	(1) 2x12 pin SSI front panel header	
	SATA	(6) single port SATA connectors	
System Monitoring	Chipset	W83795G	
	Voltage	Monitors voltage for CPU, memory, chipset & power supply	
	Fan	Total (5) 4-pin headers	
	Temperature	Monitors temperature for CPU & system environment	
	Others	Chassis intrusion detection Watchdog timer support	



Server Management	Onboard Chipset	Onboard Aspeed AST2150
	AST2150 IPMI Feature	IPMI 2.0 compliant baseboard management controller (BMC) BIOS update USB 2.0 virtual hub
	AST2150 iKVM Feature	24-bit high quality video compression Dual 10/100 Mb/s MAC interfaces
BIOS	Brand / ROM size	AMI / 8MB
	Feature	Plug and Play (PnP)/ PCI 2.3 WfM2.0 / SMBIOS2.3 / PXE boot ACPI 2.0 power management Power on mode after power recovery User-configurable H/W monitoring Auto-configurable of hard disk types Multiple boot options
Form Factor	Form Factor	ATX
	Board Dimension	12"x9.6" (304x244mm)
Operating System	OS supported list	Please refer to our OS supported list.
	Regulation	FCC (DoC) Class B CE (DoC) Yes
Operating Environment	Operating Temp.	10° C ~ 35° C (41° F~ 95° F)
	Non-operating Temp.	- 40° C ~ 70° C (-40° F ~ 158° F)
Humidity	Operating Relative Humidity:	15% to 90% (non-condensing)
	Non-operating Relative Humidity:	10% to 95% (non-condensing)
RoHS	RoHS 6/6 Compliant	Yes
ErP/EuP	Version 5.0	Support

(Specifications are subject to change without notice. Items pictured may only be representative.)

MITAC INTERNATIONAL CORP.  
TYAN Business Unit

USA  
Tel: +1-510-651-8868  
Fax: +1-510-651-7688

Taiwan  
Tel: +886-2-2652-5888  
Fax: +886-2-2652-5805

Japan  
Tel: +81-3-3769-8311  
Fax: +81-3-3769-8328

China  
Shanghai Tel: +86-21-61431188 Ext 1366  
China Tel: +86-010-62555015 Ext 8302

